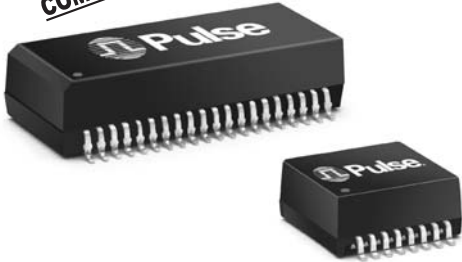


# 10/100BASE-TX TRANSFORMER MODULES

## For Auto MDI/MDIX Applications



- For RoHS part add suffix **NL<sup>5</sup>**
- Peak solder temperature rating per Table 5-2 in IPC/JEDEC J-STD-020C
- Symmetrical TX and RX channels for Auto MDI/MDIX capability
- Approved for use with the Broadcom BCM5226 and Level One LXT9784
- Meets IEEE 802.3 specification

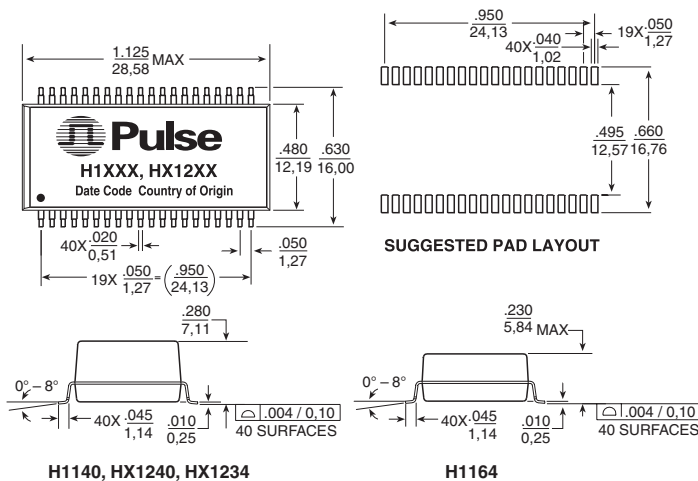
### Electrical Specifications @ 25°C — Operating Temperature 0°C to 70°C

Part <sup>2</sup> Number	RoHS <sup>5</sup>	Insertion Loss (MAX)	Return Loss (dB MIN)					Crosstalk (dB MIN)				Differential to Common Mode Rejection (dB MIN)		Hipot (Vrms MIN)
			0.1-100MHz	2-30MHz	40MHz	50MHz	60-80MHz	1kHz	30MHz	60MHz	100MHz	1-60MHz	60-200MHz	
H1140	3, 4c	-1.0	-18	-14.4	-13.1	-12	-65	-50	-40	-35	-40	-35	1500	
H1141	3, 4c	-1.0	-18	-14.4	-13.1	-12	-65	-50	-40	-35	-40	-35	1500	
H1164	NL <sup>4d</sup>	-1.0	-18	-14.4	-13.1	-12	-55	-45	-40	-33	-37	-25	1500	
HX1234 <sup>1</sup>	NL <sup>4c</sup>	-1.4	-18	-14.4	-13.1	-12	-55	-45	-40	-33	-37	-25	1500	
HX1240 <sup>1</sup>	3, 4c	-1.0	-16.5	-16	-15.5	-12	-60	-43	-38	-33	-43	-27	1500	

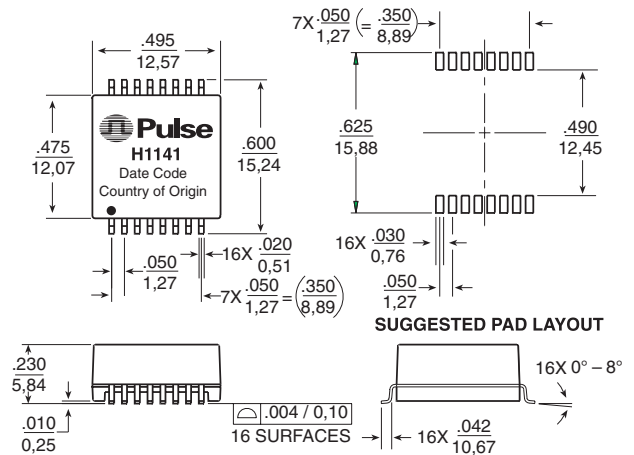
1. Operating Temperature -40°C to +85°C
2. For Tape & Reel packaging, add a "T" suffix at the end of the part number when ordering, e.g. H1164T
3. Contact Pulse for RoHS compliant part availability
4. MSL=Moisture Sensitivity Level a=1 b=2 c=3 d=4
5. Add suffix **NL** for RoHS compliant parts, e.g. H1164 changes to H1164NL or H1164NLT (for Tape and Reel)

## Mechanicals

### H1140, H1164, HX1234, HX1240



### H1141



Weight ..... 4.8 grams  
Tape & Reel ..... .250/reel  
Tube ..... 15/tube

Dimensions:  $\frac{\text{Inches}}{\text{mm}}$

Unless otherwise specified, all tolerances are  $\pm \frac{.010}{.025}$

Weight ..... .1 gram  
Tape & Reel ..... .350/reel  
Tube ..... .35/tube

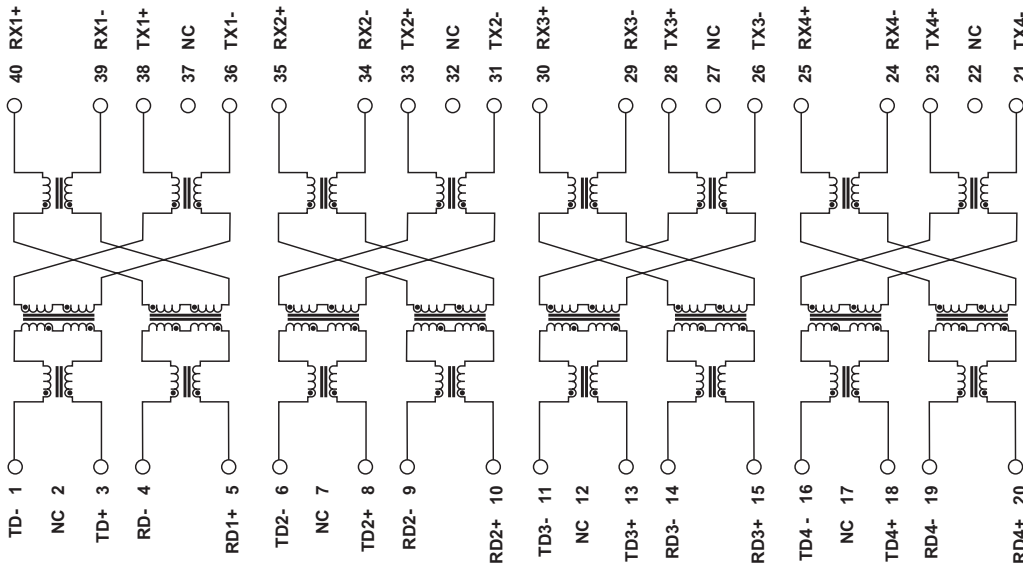
# 10/100BASE-TX TRANSFORMER MODULES

## For Auto MDI/MDIX Applications

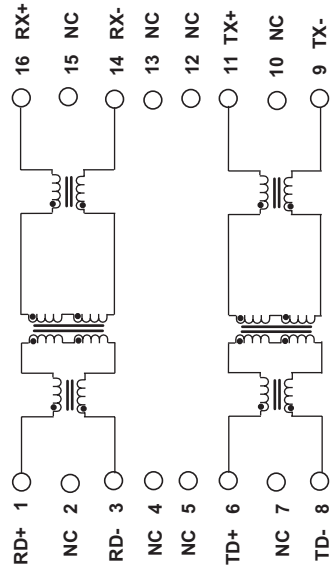


### Schematics

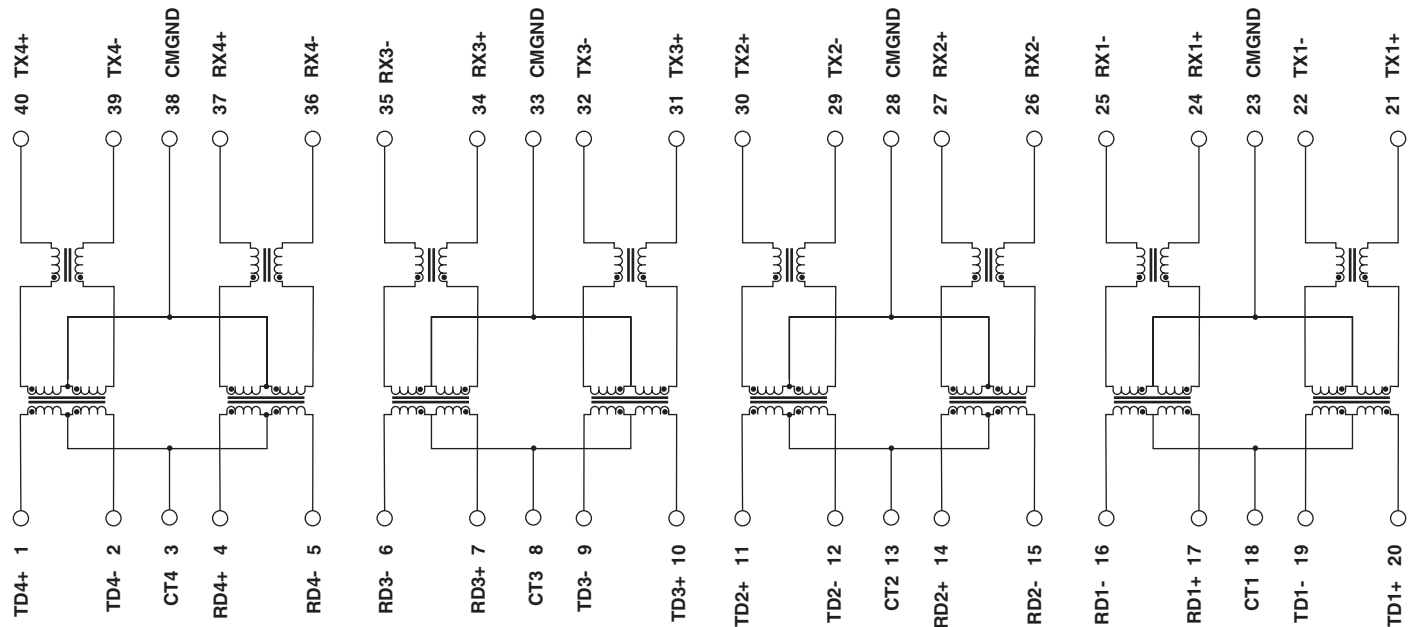
**H1140, HX1240**



**H1141**



**H1164, HX1234**



### For More Information:

**Pulse Worldwide  
Headquarters**

12220 World Trade Drive  
San Diego, CA 92128  
U.S.A.  
[www.pulseeng.com](http://www.pulseeng.com)  
TEL: 858 674 8100  
FAX: 858 674 8262

**Pulse  
Northern Europe**

3 Huxley Road  
Surrey Research Park  
Guildford, Surrey GU2 5RE  
United Kingdom  
TEL: 44 1483 401700  
FAX: 44 1483 401701

**Pulse  
Southern Europe**

Zone Industrielle  
F-39270  
Orgelet  
France  
TEL: 33 3 84 35 04 04  
FAX: 33 3 84 25 46 41

**Pulse  
China Headquarters**

No. 1  
Industrial District  
Changan, Dongguan  
China  
TEL: 86 769 5538070  
FAX: 86 769 5538870

**Pulse North China**

Room 1002  
No. 819  
Nanjing West Rd  
Shanghai  
China  
TEL: 86 21 32181071  
FAX: 86 21 32181396

**Pulse South Asia**

150 Kampong Ampat  
#07-01/02  
KA Centre  
Singapore 368324  
TEL: 65 6287 8998  
FAX: 65 6280 0080

**Pulse North Asia**

3F-4, No. 81, Sec. 1  
Hsin Tai Wu Road  
Hsi-Chih  
Taipei Hsien  
Taiwan  
TEL: 886 2 26980228  
FAX: 886 2 26980948

Performance warranty of products offered on this data sheet is limited to the parameters specified. Data is subject to change without notice. Other brand and product names mentioned herein may be trademarks or registered trademarks of their respective owners.

© Copyright, 2005. Pulse Engineering, Inc. All rights reserved.

[www.pulseeng.com](http://www.pulseeng.com)