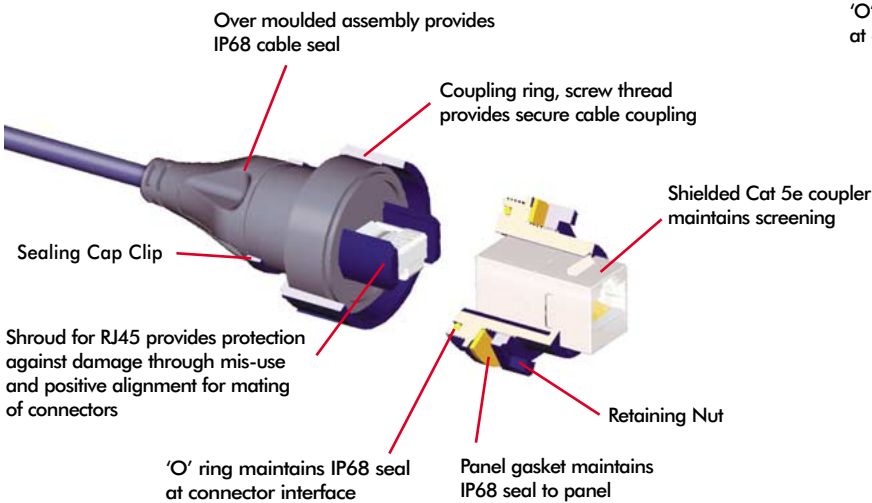
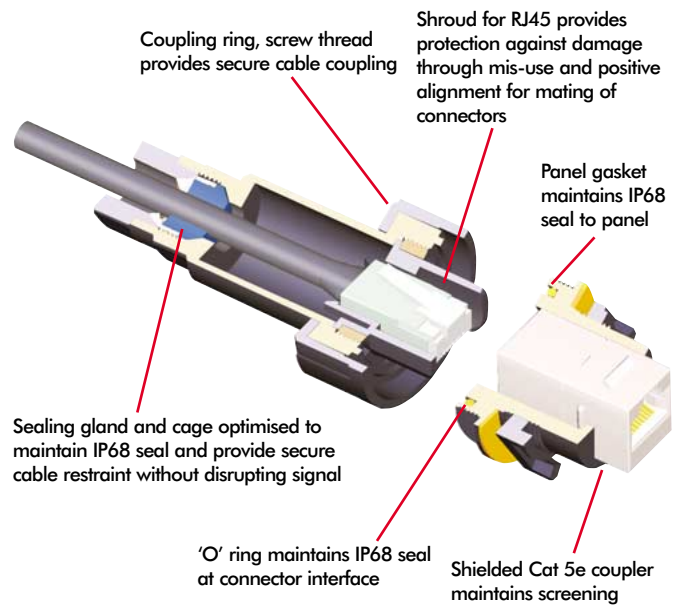


Ethernet Buccaneer®



- IP68 rated
- Cat 5e compliant
- PUR jacket on cable
- Shielded system
- Cat 5e shielded coupler
- Shroud on RJ45
- Screw coupling
- Rewireable flex connector
- PCB mounted panel connector
- IDC termination panel connector
- Earth lead version of panel adaptor
- ▶ Dust and waterproof sealing when mated
- ▶ Data rate up to 100MHz
- ▶ Good chemical resistance, flame retardant
- ▶ High noise immunity and EMI protection
- ▶ Maintains shielding
- ▶ Protection from abuse and mis-mating
- ▶ Secure, proven locking system
- ▶ Ability to 'field' terminate
- ▶ Direct PCB mount panel connector
- ▶ Simple termination
- ▶ Continuous screening of panel mount connector

BUCCANEER

Ethernet Buccaneer®

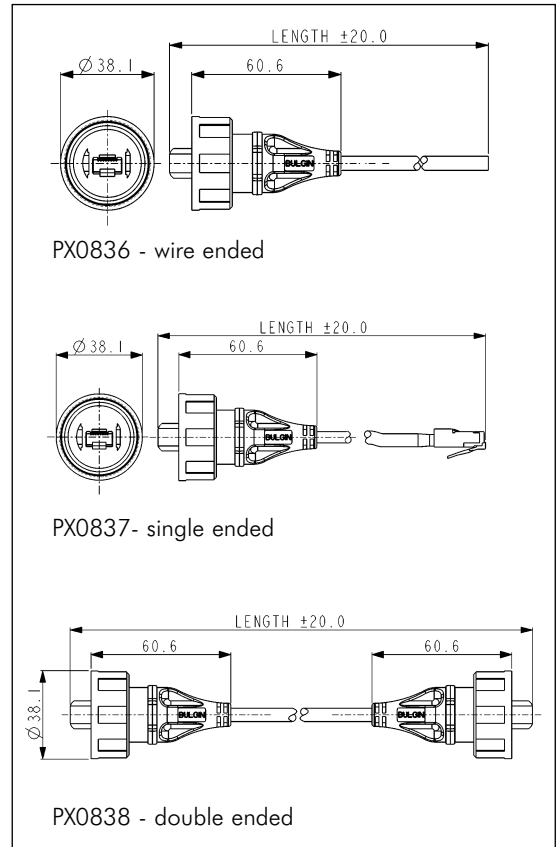
PATCH CORD FLEX CONNECTOR - PUR JACKET CABLE



PX0836

- Mates with panel mounting connector (PX0833, PX0839/PC & PX0839/IDC)
- Patchcords with IP68 connector
- Supplied with shielded RJ45 plug
- Single or double end terminated
- Standard lengths: 2m, 3m & 5m
- S-FTP cable construction
- PUR jacket cable
- Wiring configuration to 568-B
- Exceeds EIA/TIA Cat 5e

| Part no. | Type | Length | Description |
|-------------|--------------|--------|--|
| PX0836/2M00 | Wire end | 2m | IP68 RJ Buccaneer to bare end |
| PX0836/3M00 | Wire end | 3m | IP68 RJ Buccaneer to bare end |
| PX0836/5M00 | Wire end | 5m | IP68 RJ Buccaneer to bare end |
| PX0837/2M00 | Single ended | 2m | IP68 RJ Buccaneer to Shielded RJ45 |
| PX0837/3M00 | Single ended | 3m | IP68 RJ Buccaneer to Shielded RJ45 |
| PX0837/5M00 | Single ended | 5m | IP68 RJ Buccaneer to Shielded RJ45 |
| PX0838/2M00 | Double ended | 2m | IP68 RJ Buccaneer to IP68 RJ Buccaneer |
| PX0838/3M00 | Double ended | 3m | IP68 RJ Buccaneer to IP68 RJ Buccaneer |
| PX0838/5M00 | Double ended | 5m | IP68 RJ Buccaneer to IP68 RJ Buccaneer |



Ethernet Buccaneer®

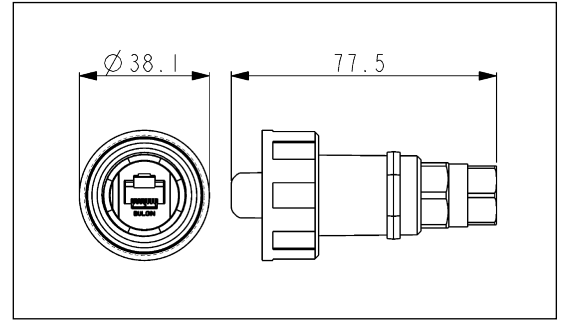
BUCCANEER

RE-WIREABLE FLEX CONNECTOR



PX0834

- Mates with panel mounting connector (PX0833, PX0839/PC & PX0839/IDC)
- Supplied with shielded RJ45 plug
- Two versions:
for PUR jacket cable (Cat 5e)
for other cable sizes from 3.5 to 8mm dia.



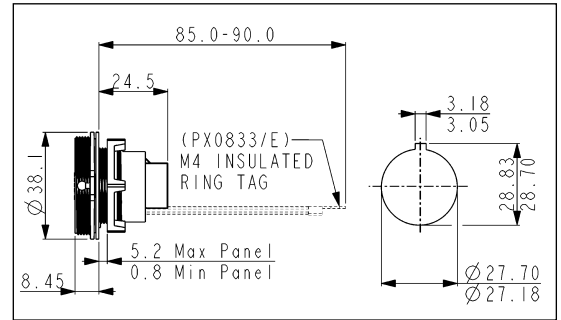
| Part no. | Description |
|----------------------|---|
| PX0834/A PX0834/B | Cable glands optimised for PUR jacket cable to maintain Cat 5e performance Suitable for use with cables from 3.5 to 8mm diameter |

PANEL MOUNTING CONNECTOR



PX0833

- Cat 5e shielded coupler
- Mates with PX0836, PX0837, PX0838 and PX0834 flex connectors
- Standard patchcord can be plugged into rear
- Version with earth wire available
- Single hole fixing
- Complete with panel sealing gasket



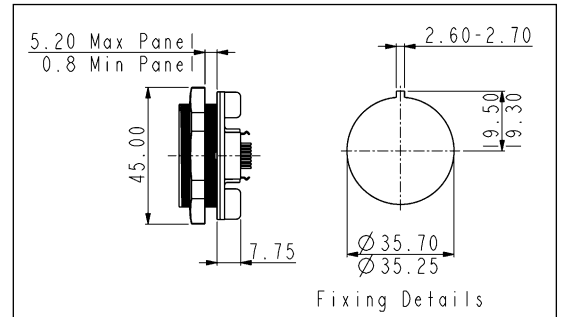
| Part no. | Description | Fixing |
|--------------------|---|--|
| PX0833 PX0833/E | Cat 5e coupler Cat 5e coupler + earth wire | Front panel mounted Front panel mounted |

PCB MOUNTING CONNECTOR

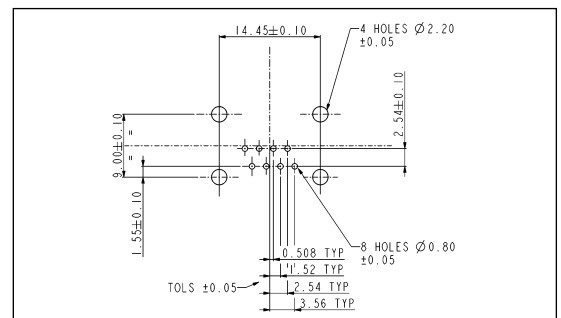


PX0839/PC

- Cat 5e shielded RJ45 interface
- Rear of panel mounted
- Mates with PX0836, PX0837, PX0838 and PX0834 flex connectors
- For direct mounting to PCB
- Complete with panel sealing gasket



| Part no. | Description | Fixing |
|-----------|----------------|--------------------|
| PX0839/PC | Cat 5e coupler | Rear panel mounted |



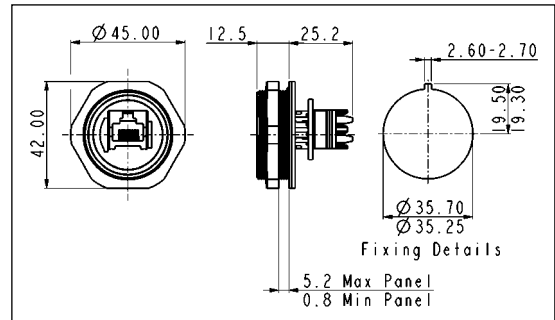
Ethernet Buccaneer®

PANEL MOUNTING CONNECTOR



PX0839/IDC

- Cat 5e shielded RJ45 interface
- Rear of panel mounted
- Mates with PX0836, PX0837, PX0838 and PX0834 flex connectors
- IDC blocks for discrete termination
- Complete with panel sealing gasket



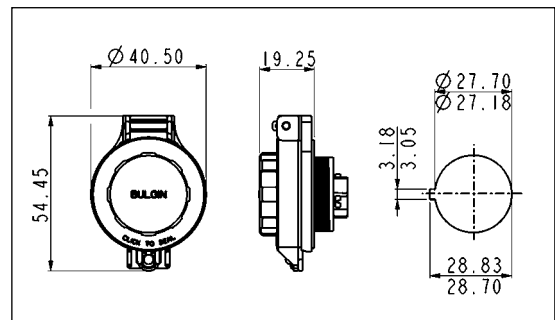
| Part no. | Description | Fixing |
|------------|----------------|--------------------|
| PX0839/IDC | Cat 5e coupler | Rear panel mounted |

SPRUNG LOADED SEALING CAP



PX0713

- IP65 rated
- Sprung loaded
- Clip shut to seal
- For use with front of panel mounting connector types



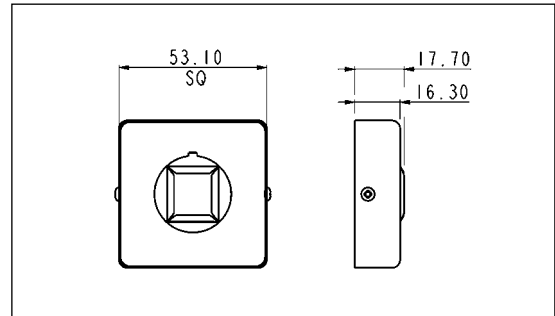
| Part no. | Description |
|----------|---------------------------|
| PX0713 | Sprung loaded sealing cap |

SHIELDING BACK SHELL ACCESSORY



PX0888

- Maintains screening directly to panel
- Can be fixed to rear of panel mount connector
- For use on PX0833



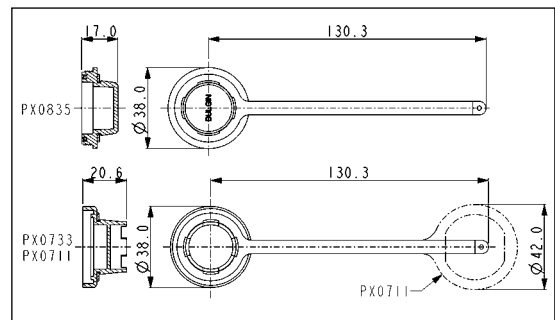
| Part no. | Description |
|----------|-------------------------------|
| PX0888 | Shielding backshell accessory |

ACCESSORIES



Sealing Caps

- Sealing caps to maintain IP68 rating when connectors are not in use
- Replacement shielded RJ45s
- Hand crimp tool for shielded RJ45
- Patch cord cable available in 50m reels



| Part no. | Description |
|----------|--|
| PX0835 | Sealing Cap for flex connectors (PX0834, PX0836-838) |
| PX0733 | Sealing Cap for panel mounting connector (PX0833) |
| PX0711 | Sealing Cap for rear panel mounting connector (PX0839) |
| 14151 | Hand crimp tooling + die set |
| 14199 | PUR Jacket Cable - 50m reel |
| 14150 | Replacement shielded RJ45 |

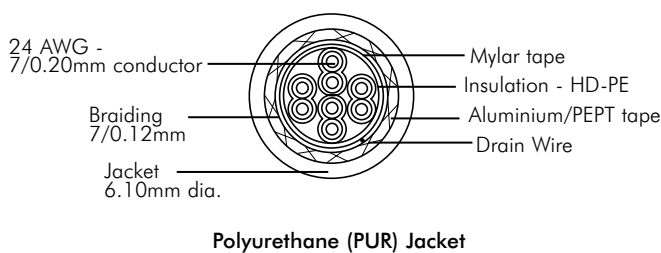
SPECIFICATION

Stranded S-FTP Patch cord cable - PUR Jacket

Polyurethane (PUR) jacket cable with internal construction exceeding Cat 5e performance levels. The PUR jacket has excellent abrasion, chemical and ozone resistance, low smoke, low halogen flame retardant construction suitable for internal and external industrial environments.

| Construction | Polyurethane (PUR) Jacket |
|---------------------------|--|
| Conductors | 24AWG (7/0.2mm) bare copper |
| Insulation | HD-PE |
| Pair | 2 of the above cores twisted |
| Core | 4 of the above cores |
| Tape | 1 lap mylar tape |
| Screen | 1 layer mylar and aluminium tape, 0.12mm tinned copper braid |
| Sheath | PUR Jacket Black |
| Op Temperature | -25°C to +85°C |
| Min. bend radius | 10 x o/d (installation) |
| Min. bend radius | 6 x o/d (installed) |
| Diameter | 6.1mm nominal |
| Electrical @ 20°C | |
| Characteristic Impedance | 100Ω ± 15Ω @ 100MHz |
| Capacitance | 330pF/km |
| Conductor Loop resistance | 29Ω/100m maximum |
| Skew | 45 nsec/100m @ 100MHz |
| TIA/EIA Rating | Cat 5e |

Cable construction



Re-wireable and Panel mounted connectors

| | |
|-----------------------|----------------|
| Mechanical | |
| Sealing | IP68, EN60529 |
| Materials | |
| Connector Body | Polyester |
| Flammability rating | UL94V-0 |
| 'O' rings | Silicon |
| Panel Gasket | Silicon |
| Operating Temperature | -20°C to +70°C |
| RoHS | Compliant |

RJ45 Plug

| | |
|-----------------------|-----------------|
| Materials | |
| Moulding | Polycarbonate |
| Flammability | UL94V-0 |
| Contact material | Phosphor Bronze |
| Contact plating | 50 micron gold |
| Operating Temperature | -40°C to +70°C |
| Mating cycles | 1,000 cycles |
| RoHS | Compliant |
| Electrical | |
| No. Conductors | 8 |
| Current rating | 1.5A |
| Voltage rating | 30V ac, 42V dc |
| Contact resistance | 10mΩ max. |
| Performance | Cat 5e |

RJ45 Coupler

| | |
|-----------------------|-----------------|
| Materials | |
| Coupler Shell | Copper Alloy |
| Coupler Plating | Nickel |
| Moulding | ABS |
| Flammability | UL94V-0 |
| Contact material | Phosphor Bronze |
| Contact plating | 50 micron gold |
| Operating Temperature | -40°C to +70°C |
| Mating cycles | 1,000 cycles |
| RoHS | Compliant |
| Electrical | |
| No. Conductors | 8 |
| Current rating | 1.5A |
| Voltage rating | 30V ac, 42V dc |
| Contact resistance | 10mΩ max. |
| Performance | Cat 5e |

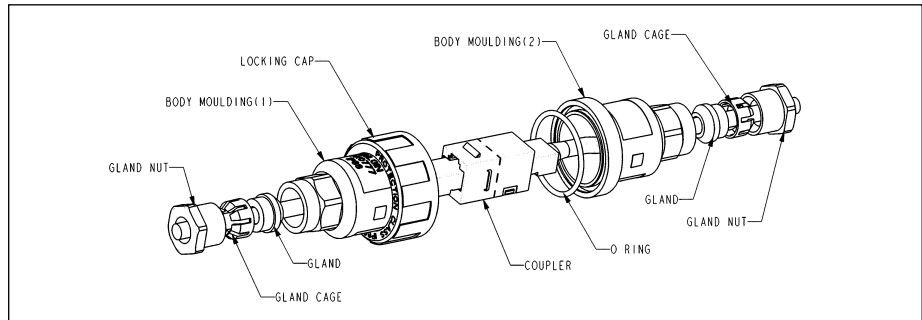
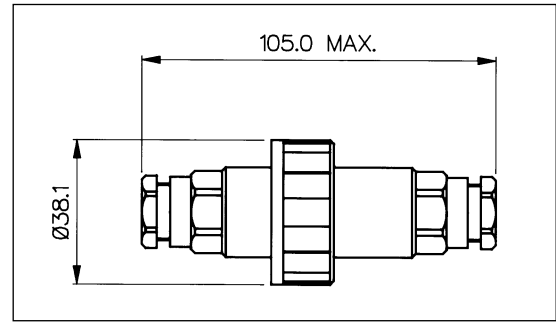
Ethernet Buccaneer®

CABLE JOINER



PX0777

- IP68 Rating
- For Sealed In-Line RJ45 Connections
- Supplied Complete with Coupler
- Shielded (STP) & Unshielded (UTP) versions
- Cat5e Shielded Coupler also available
- Cable Range 3.5 - 8mm (with glands supplied)



| Specification | PX0777/UTP | PX0777/STP | PX0777/CAT5ESTP |
|------------------------|----------------------------------|----------------------------------|----------------------------------|
| Rating: | 1.5A, 30V a.c., 42V d.c. | 1.5A, 30V a.c., 42V d.c. | 1.5A, 30V a.c., 42V d.c. |
| No. of Conductors: | 8 | 8 | 8 |
| Coupler Type: | Unshielded | Shielded | Shielded CAT5e performance |
| Cable Range: | 3.5 - 8mm (with glands supplied) | 3.5 - 8mm (with glands supplied) | 3.5 - 8mm (with glands supplied) |
| Material: | Glass Filled Polyamide UL94V-0 | Glass Filled Polyamide UL94V0 | Glass Filled Polyamide UL94V-0 |
| Sealing: | IP68 to BSEN 60529 : 1977 | IP68 to BSEN 60529 : 1977 | IP68 to BSEN 60529 : 1977 |
| Operating Temp. Range: | -20°C to +70°C | -20°C to +70°C | -20°C to +70°C |
| Colour: | Black | Black | Black |
| RoHS | Compliant | Compliant | Compliant |