

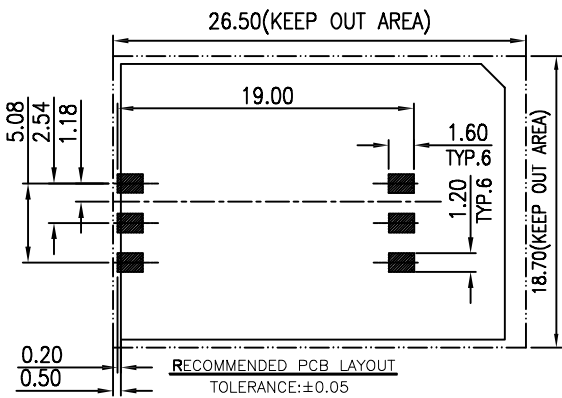
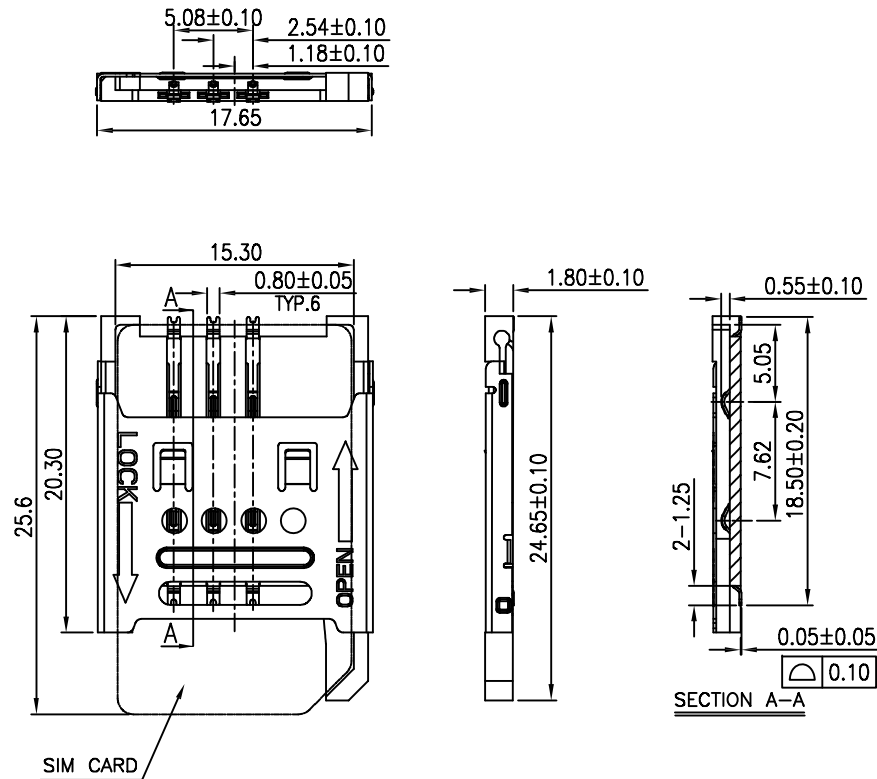
REV.	DESCRIPTION	DRAWN	CHECKED	APPROVED
A	NEW RELEASE	JLZ 10/10/14'		

Notes:

1. Material:
 - 1.1. Housing: High Temperature LCP UL 94V-0, Color of Black
 - 1.2. Contact: Copper Alloy
 - 1.3. Shell: Stainless Steel
2. Finish:
 - 2.1. Contact Area: Gold over Nickel
 - 2.2. Solder Area: Matte Tin.
3. Speciality: :
 - 3.1. Current Rating: 1.0A
 - 3.2. Voltage Rating: 30V AC/DC
 - 3.3. Contact Resistance: 50MΩ Max.
 - 3.4. Insulation Resistance: 1000MΩ Min.
 - 3.5. Withstanding Voltage: 500V AC.
 - 3.6. Temperature Rated: -40° C TO +105° C,
4. Product Number Code:

DS1138-06 - XX X X X X X X

- Packing Type
R: Tape On Reel
- Shell Plating
S: Stainless
- Housing Color
B: Black
- Contact Plating
4: Selective 3u" gold
- Mounting Type
S: SMT type
- Connector Type
S: Socket
- NO. Of Contacts
06:6Pin



GENERAL TOLERANCE		ANGLE TOLERANCE		PROJECTION		TITLE	2.54mm SIM Card H=1.8mm 6 Positions SMT Type		
X.	±0.60	X.	±5°	UNITS	mm				
.X	±0.38	.X	±3°	SHEET SIZE	A4	SERIES	DS1138-06 SERIES		
.XX	±0.25	.XX	±2°						
DRAWING TYPE		CUSTOMER		晨翔电子有限公司 CONNFLY® CONNFLY ELECTRONIC CO., LTD					
SCALE		1:1	SHEET						1 OF 1
DRAWING NO.		C-DS1138-06-XXXXXXX-A							