

61082-AA B C D E G FF

AA	POSITION
02	2X10
04	2X20
06	2X30
08	2X40
10	2X50
12	2X60
14	2X70
16	2X80
18	2X90
20	2X100

NOTE 10

B		FOR PLUG, SEE DWG. NO. 61083			
COMBINATION OF MATED HEIGHT	Plug 1	Plug 2	Plug 3	Plug 4	
Recep 1					
Recep 2					
Recep 3					
Recep 4					

G	DATE CODE
/	NOT PRINT DATE CODE
P	PRINT DATE CODE

E	PACKAGING
0	TUBE WITHOUT METAL CAP
2	T&R WITH METAL CAP
9	TUBE WITH METAL CAP
6	T&R WITHOUT METAL CAP (WITH KAPTON TAPE)

NOTE 10
NOTE 10

D	POLARIZATION PEG	HOLD DOWN
0	YES	NO
2	NO	NO

C	PLATING ON CONTACT AREA	FF
0	GOLD 0.2um MIN / TIN LEAD NICKEL UNDERPLATE OVERALL 1.27um MIN	NONE
1	GOLD FLASH (0.1um MIN) OVER PALLADIUM-NICKEL 0.76um MIN / TIN LEAD NICKEL UNDERPLATE OVERALL 1.27um MIN	NONE
4	GOLD 0.2um MIN / PURE TIN 2um MIN (LEAD FREE) NICKEL UNDERPLATE OVERALL 1.27um MIN	LF
5	GOLD 0.38um MIN / PURE TIN 2um MIN (LEAD FREE) NICKEL UNDERPLATE OVERALL 1.27um MIN	LF
6	GOLD FLASH (0.1um MIN) OVER PALLADIUM-NICKEL 0.76um MIN / PURE TIN 2um MIN (LEAD FREE) NICKEL UNDERPLATE OVERALL 1.27um MIN	LF

- NOTE:
- MATERIAL:
HOUSING: G.F. LCP, UL94-V0
TERMINAL: NICKEL COPPER
 - PLATING: AS SHOWN IN TABLE.
 - SEE GS-12-547 FOR PRODUCT SPEC.
 - PACKAGING OPTION 2: NOT ALL SIZES ARE AVAILABLE. CHECK WITH FACTORY.
 - THIS PRODUCT MEETS THE EUROPEAN UNION DIRECTIVES AND OTHER COUNTRY REGULATIONS AS DESCRIBED IN GS-22-008.
 - THE HOUSING WILL WITHSTAND EXPOSURE UP TO 260~ PEAK TEMPERATURE FOR 30 SECONDS IN A CONVECTION, INFRA-RED OR VAPOR PHASE REFLOW OVEN.
 - PLATING OPTION "4" IS LEADFREE ALTERNATIVE FOR OPTION "0", AND OPTION "6" IS LEADFREE ALTERNATIVE FOR OPTION "1".
 - HIGH PRECISION COPLANARITY IS AVAILABLE FOR 2X80 TO 2X100 POS, ALL HEIGHTS. PLS REFER TO PRINT 10069525.
 - THE P/N 61082-***** OR 61082-*****LF NOT PRINT DATE CODE.
THE P/N 61082-*****P OR 61082-*****PLF NEED PRINT DATE CODE.
 - 2X10 POSITION ONLY APPLY TO RECEPTACLE 4.
PACKAGING WITH METAL CAP DOES NOT APPLY TO 2X10 POSITION.

spec ref	dr	Matthew Cheong	2009/06/09	projection	MM	size	A3	scale	3:1
tolerance std	eng	Jim Meng	2015/03/25		← →	ecn no	ELX-N-20397-1	rel level	Released
ISO 406 ISO 1101	chr	-	-						
surface	linear	0.X	±0.20	product family	-	dwg no	61082	rev	AD
		0.XX	±0.15						
ISO 1302	angular	0°	±2°	www.fci.com	cat. no.	-	Product - Customer Drw	sheet 1 of 7	

Copyright FCI. FCI

PRODUCT NO.	NUMBER OF POSITIONS	DIMENSION		
		A	B	C
61082-041***	2X20	15.2	21.8	20.2
61082-061***	2X30	23.2	29.8	28.2
61082-081***	2X40	31.2	37.8	36.2
61082-101***	2X50	39.2	45.8	44.2
61082-121***	2X60	47.2	53.8	52.2
61082-141***	2X70	55.2	61.8	60.2
61082-161***	2X80	63.2	69.8	68.2
61082-181***	2X90	71.2	77.8	76.2
61082-201***	2X100	79.2	85.8	84.2

DATE CODE: XXXXXX

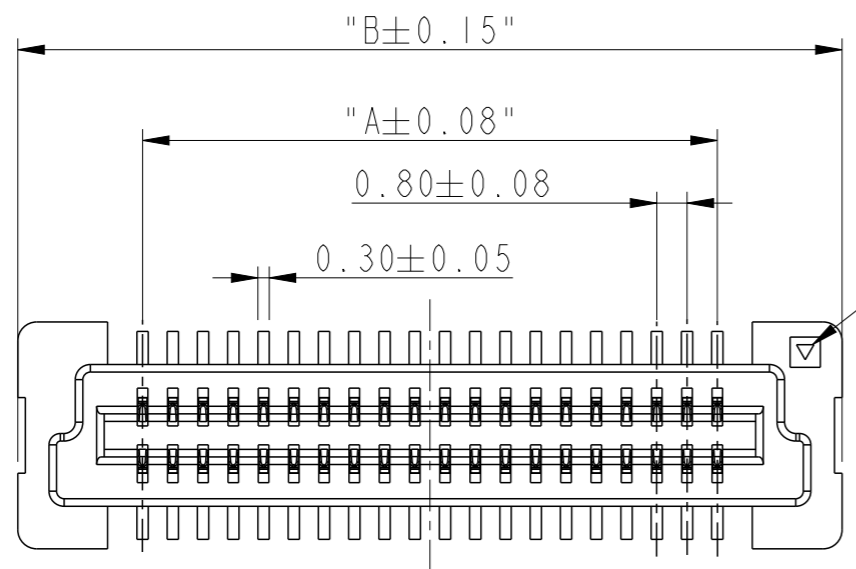
DAY(01~31)
MONTH(01~12)
YEAR(00~99)

DETAIL F

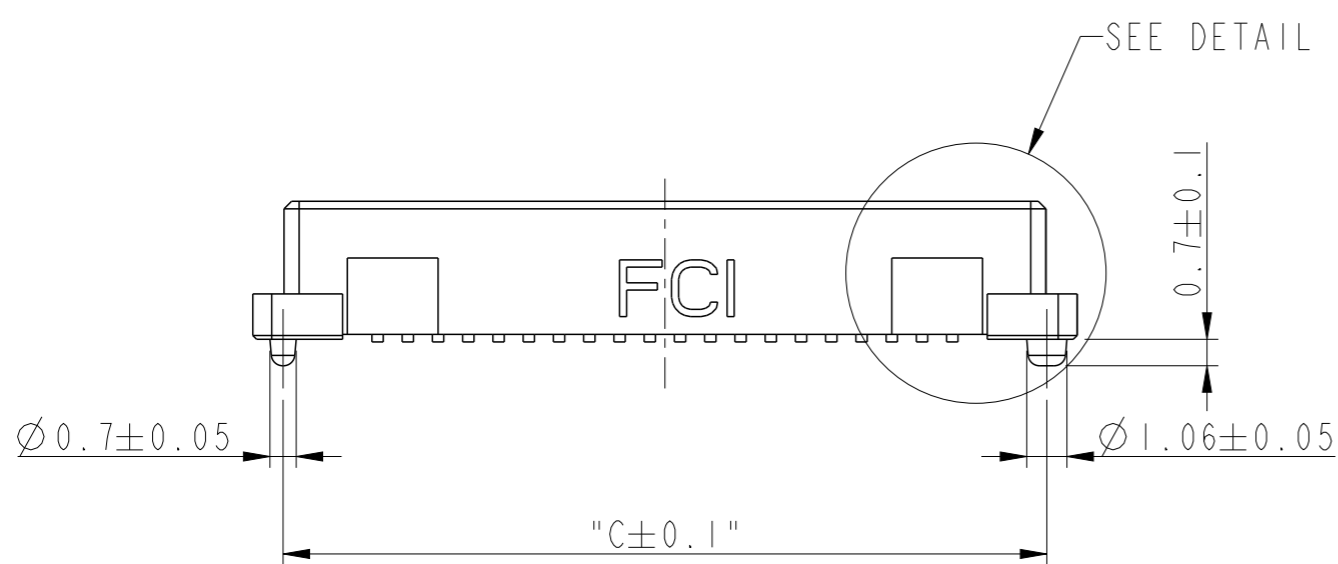
COPLANARITY OF TAIL:
0.1 MAX. APPLIED TO 2X20 TO 2X70 POS.
0.13 MAX APPLIED TO 2X80 TO 2X100 POS.

HIGH PRECISION COPLANARITY IS AVAILABLE FOR 2X80 TO 2X100 POS.
PLS REFER TO PRINT 10069524.

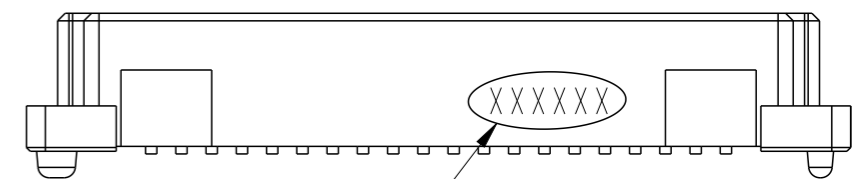
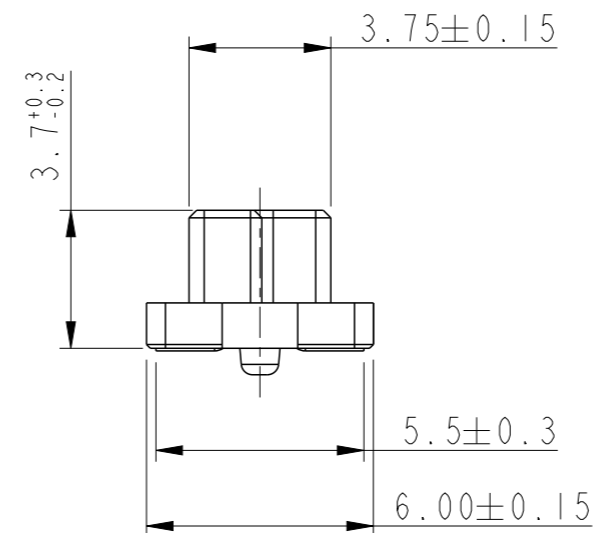
DETAIL A
SCALE 10:1



POSITION #1 INDICATOR



SEE DETAIL A

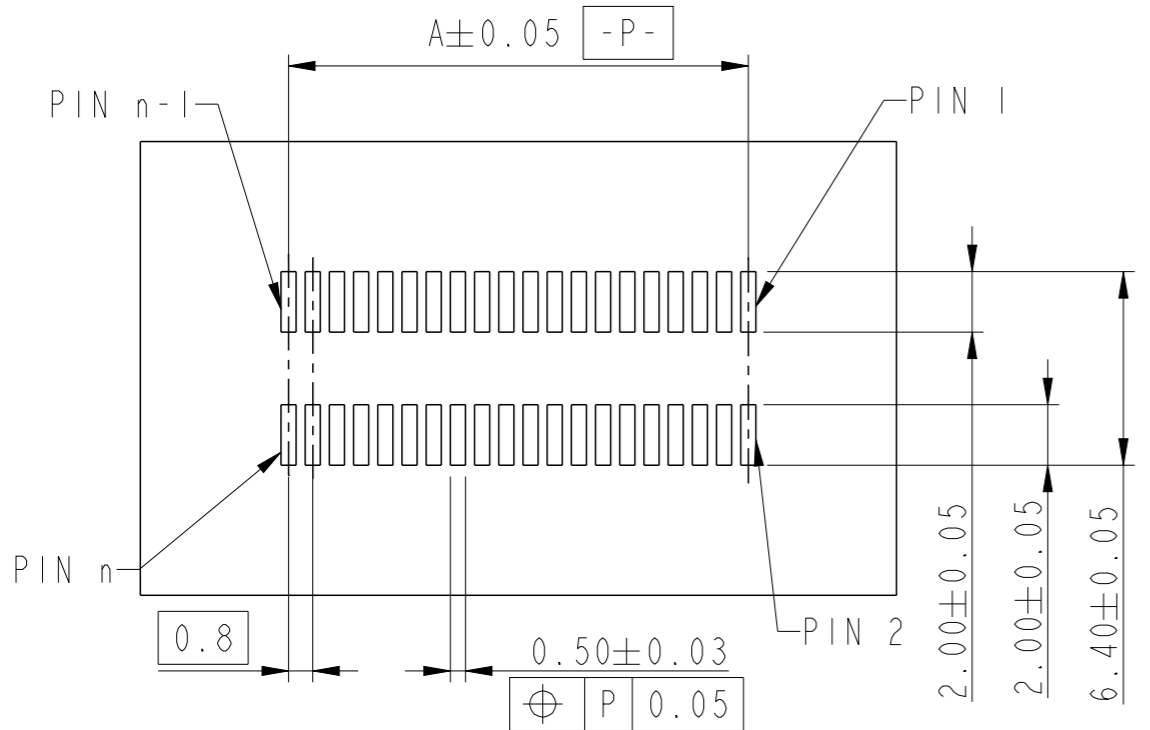


SEE DETAIL F

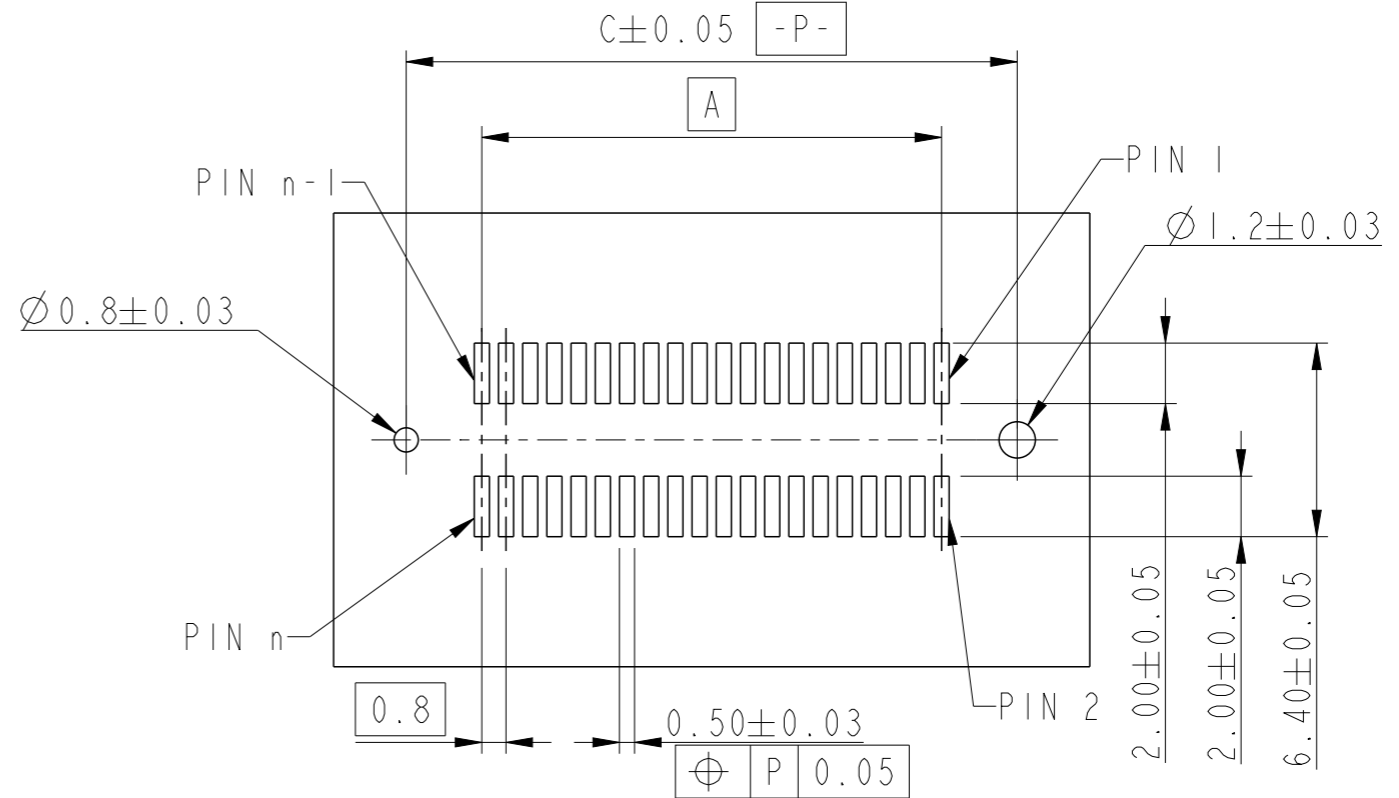
RECEPTACLE I

dr	Matthew Cheong	2009/06/09	projection	MM	size	A3	scale	3:1
eng	Jim Meng	2015/03/25			ecn no ELX-N-20397-1			
chr	-	-			rel level Released			
appr	Tim Yao	2015/04/02	product family		-			
			title		BERGSTAK 0.8MM		dwg no	
www.fci.com			cat. no.		-		Product - Customer Drw	
			title		RECEPTACLE ASS'Y		rev	
			cat. no.		-		sheet 2 of 7	

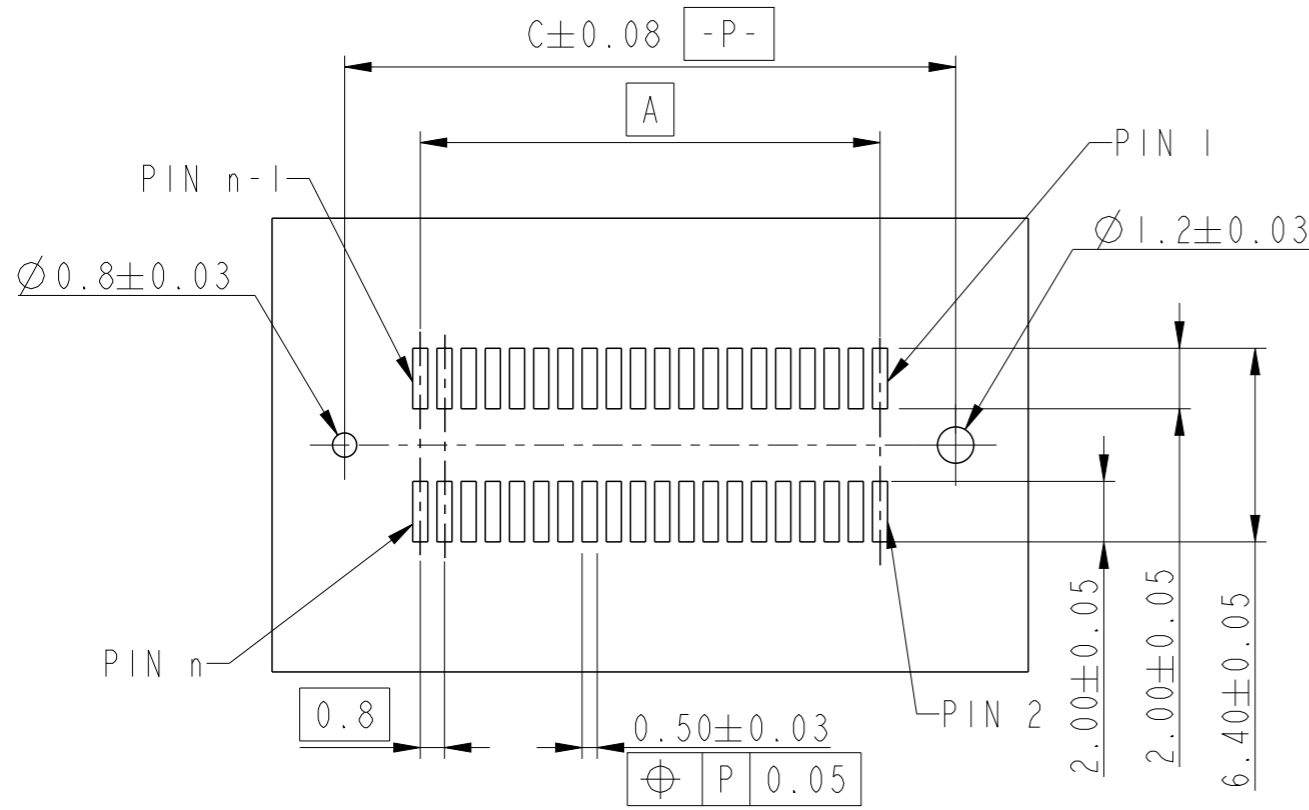
RECEPTACLE 1



RECOMMENDED PCB LAYOUT WITHOUT PEGS AND HOLDDOWN



RECOMMENDED PCB LAYOUT WITH PEGS FOR NO. OF POSITION 2X20, 2X30, 2X40, 2X50, 2X60



RECOMMENDED PCB LAYOUT WITH PEGS FOR NO. OF POSITION 2X70, 2X80, 2X90, 2X100

Copyright FCI.



dr	Matthew Cheong	2009/06/09	projection MM ←→	size	A3	scale	3:1			
eng	Jim Meng	2015/03/25		ecn no	ELX-N-20397-1					
chr	-	-		product family	-	rel level	Released			
appr	Tim Yao	2015/04/02								
www.fci.com		title		BERGSTAK 0.8MM RECEPTACLE ASS'Y		dwg no		61082	rev	AD
cat. no.			-			Product - Customer Drw		sheet 3 of 7		

PRODUCT NO.	NUMBER OF POSITIONS	DIMENSION		
		A	B	C
61082-042***	2X20	15.2	21.8	20.2
61082-062***	2X30	23.2	29.8	28.2
61082-082***	2X40	31.2	37.8	36.2
61082-102***	2X50	39.2	45.8	44.2
61082-122***	2X60	47.2	53.8	52.2
61082-142***	2X70	55.2	61.8	60.2
61082-162***	2X80	63.2	69.8	68.2
61082-182***	2X90	71.2	77.8	76.2
61082-202***	2X100	79.2	85.8	84.2

DATE CODE: XXXXXX

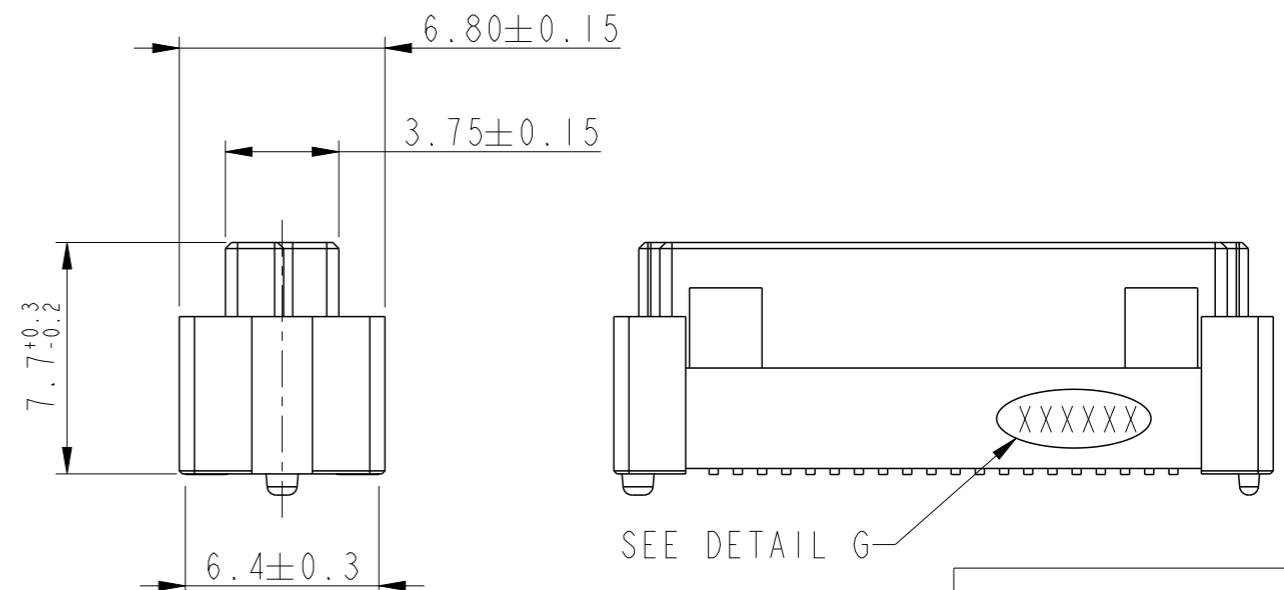
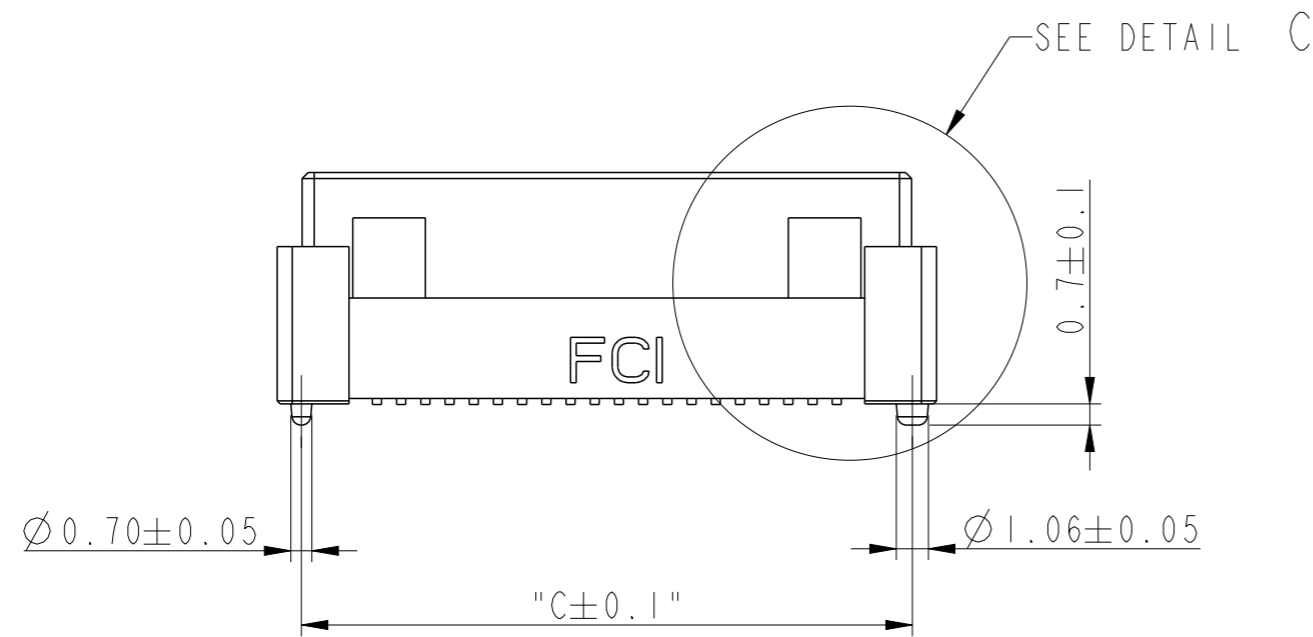
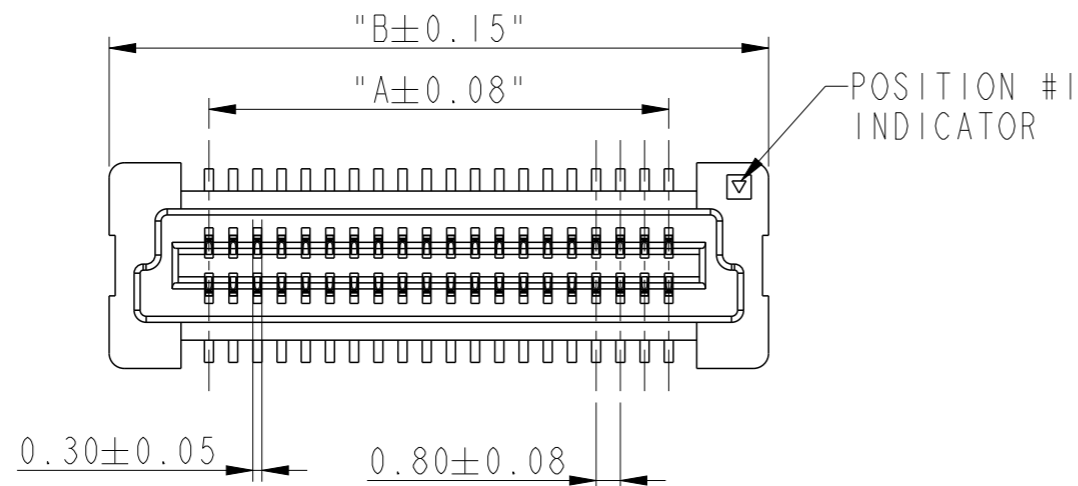
DAY(01~31)
MONTH(01~12)
YEAR(00~99)

DETAIL G

COPLANARITY OF TAIL
0.1 MAX APPLIED TO 2X20 TO 2X70 POS.
0.13 MAX APPLIED TO 2X80 TO 2X100 POS.

HIGH PRECISION COPLANARITY IS AVAILABLE FOR 2X80 TO 2X100 POS.
PLS REFER TO PRINT 10069524.

DETAIL C
SCALE 8:1



RECEPTACLE 2

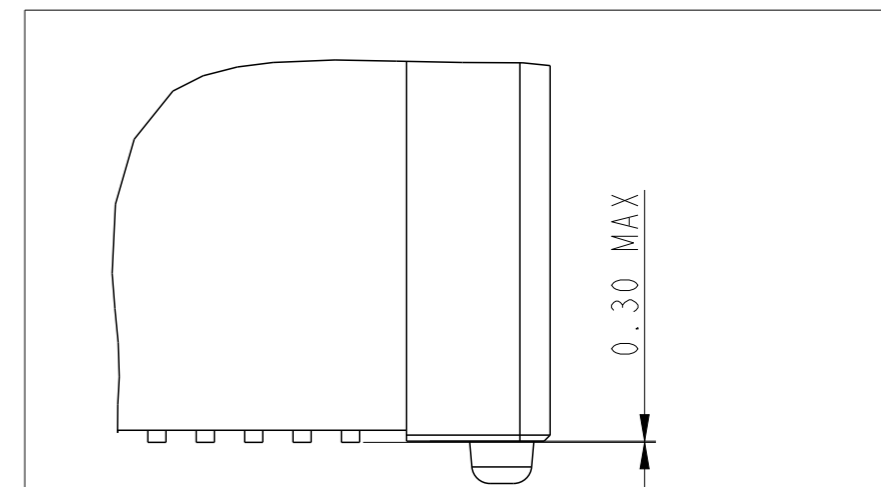
dr	Matthew Cheong	2009/06/09	projection	MM	size	A3	scale	3:1
eng	Jim Meng	2015/03/25			ecn no ELX-N-20397-1			
chr	-	-			rel level Released			
appr	Tim Yao	2015/04/02	product family		-			
			title		BERGSTAK 0.8MM		dwg no	
www.fci.com			title		RECEPTACLE ASS'Y		61082	
cat. no.			-		Product - Customer Drw		sheet 4 of 7	

PRODUCT NO.	NUMBER OF POSITIONS	DIMENSION		
		A	B	C
61082-043***	2X20	15.2	21.8	20.2
61082-063***	2X30	23.2	29.8	28.2
61082-083***	2X40	31.2	37.8	36.2
61082-103***	2X50	39.2	45.8	44.2
61082-123***	2X60	47.2	53.8	52.2
61082-143***	2X70	55.2	61.8	60.2
61082-163***	2X80	63.2	69.8	68.2
61082-183***	2X90	71.2	77.8	76.2
61082-203***	2X100	79.2	85.8	84.2

DATE CODE: XXXXXX

DAY(01~31)
MONTH(01~12)
YEAR(00~99)

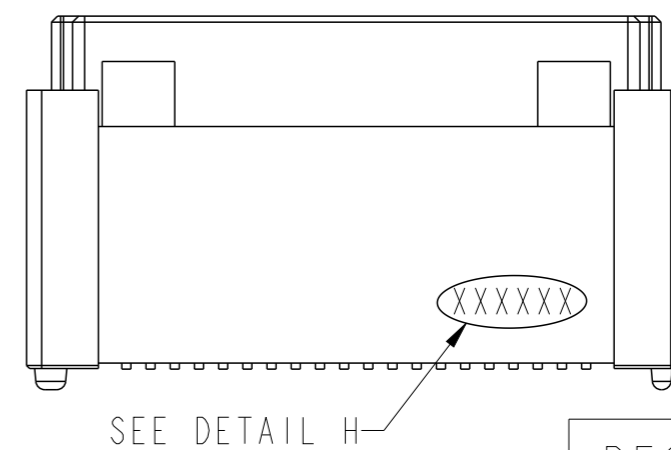
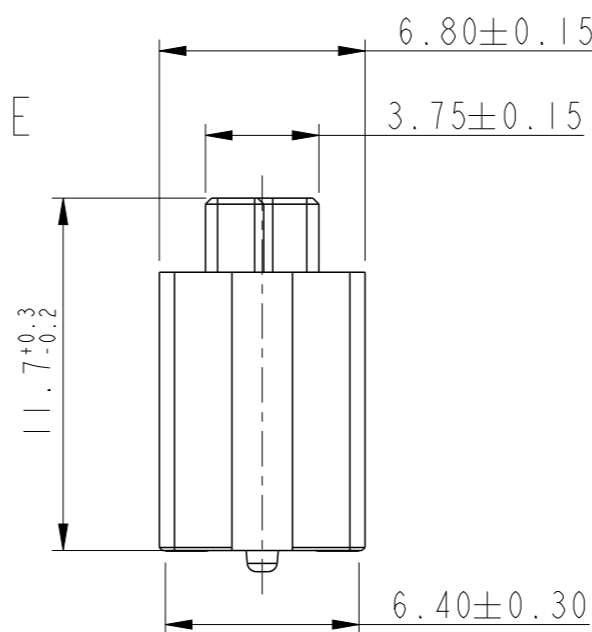
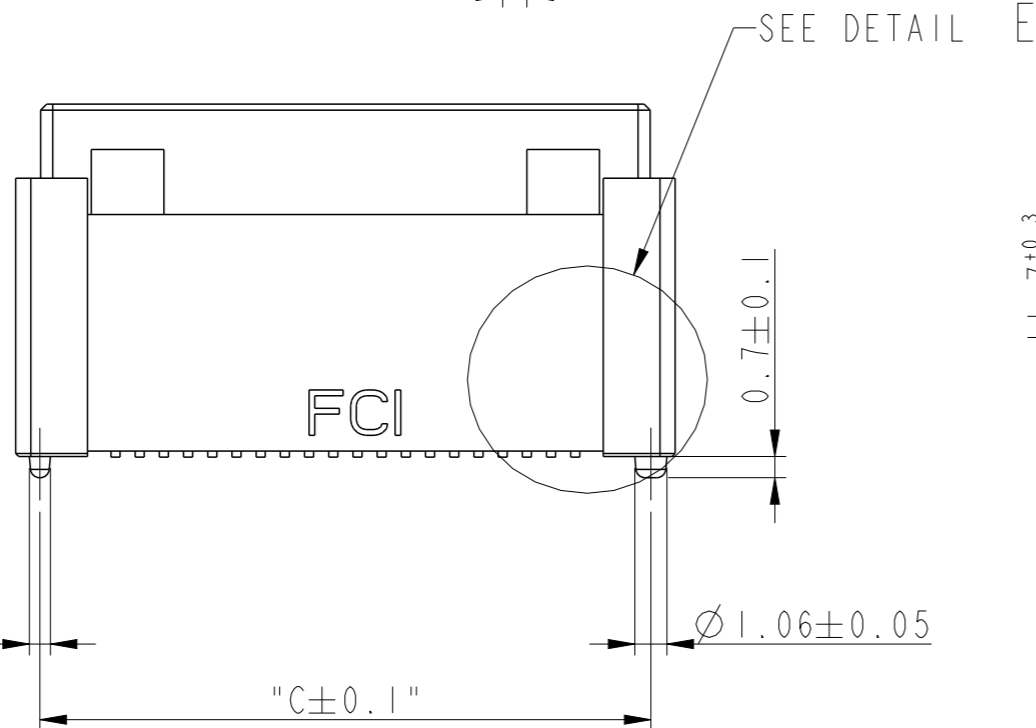
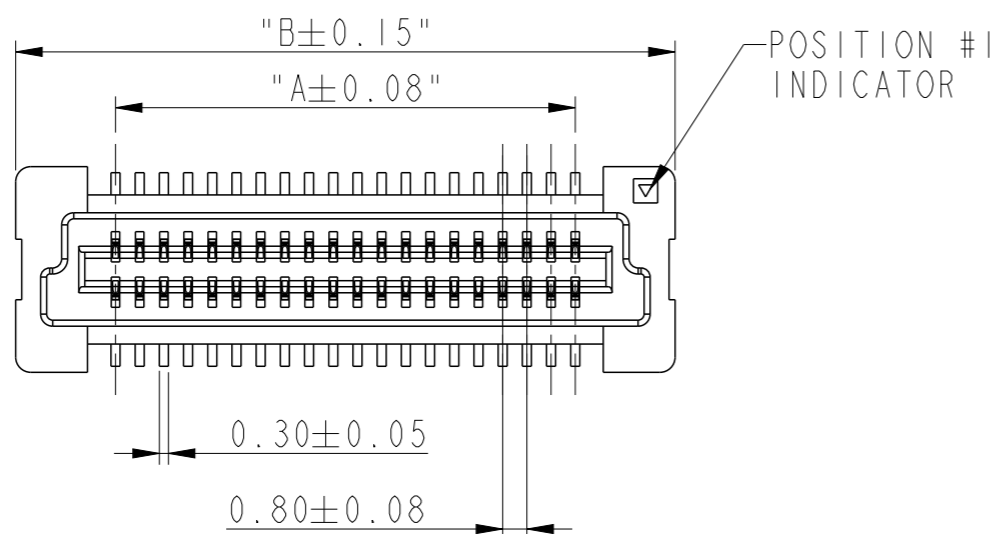
DETAIL H



COPLANARITY OF TAIL
0.1 MAX APPLIED TO 2X20 TO 2X70 POS
0.13 MAX APPLIED TO 2X80 TO 2X100 POS.

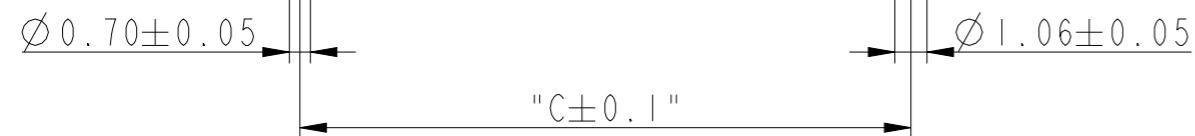
HIGH PRECISION COPLANARITY IS AVAILABLE FOR 2X80 TO 2X100 POS.
PLS REFER TO PRINT 10069524.

DETAIL E
SCALE 8:1



SEE DETAIL H

RECEPTACLE 3



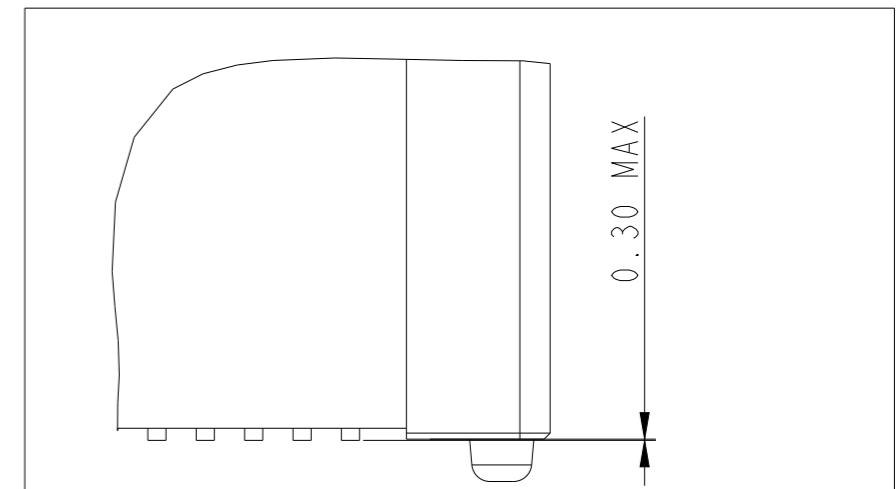
dr	Matthew Cheong	2009/06/09	projection	MM	size	A3	scale	3:1	
eng	Jim Meng	2015/03/25			ecn no	ELX-N-20397-1			
chr	-	-			rel level	Released			
appr	Tim Yao	2015/04/02	product family	-	rel level	Released			
		BERGSTAK 0.8MM			dwg no	61082		rev	AD
www.fci.com		cat. no.	-	Product - Customer Drw	sheet 5 of 7				

PRODUCT NO.	NUMBER OF POSITIONS	DIMENSION		
		A	B	C
61082-024***	2X10	7.2	13.8	12.2
61082-044***	2X20	15.2	21.8	20.2
61082-064***	2X30	23.2	29.8	28.2
61082-084***	2X40	31.2	37.8	36.2
61082-104***	2X50	39.2	45.8	44.2
61082-124***	2X60	47.2	53.8	52.2
61082-144***	2X70	55.2	61.8	60.2
61082-164***	2X80	63.2	69.8	68.2
61082-184***	2X90	71.2	77.8	76.2
61082-204***	2X100	79.2	85.8	84.2

DATE CODE: XXXXXX

DAY(01~31)
MONTH(01~12)
YEAR(00~99)

DETAIL K



COPLANARITY OF TAIL
0.1 MAX APPLIED TO 2X20 TO 2X70 POS
0.13 MAX APPLIED TO 2X80 TO 2X100 POS.

HIGH PRECISION COPLANARITY IS AVAILABLE FOR 2X80 TO 2X100 POS.
PLS REFER TO PRINT 10069524.

DETAIL J
SCALE 8:1

A

B

C

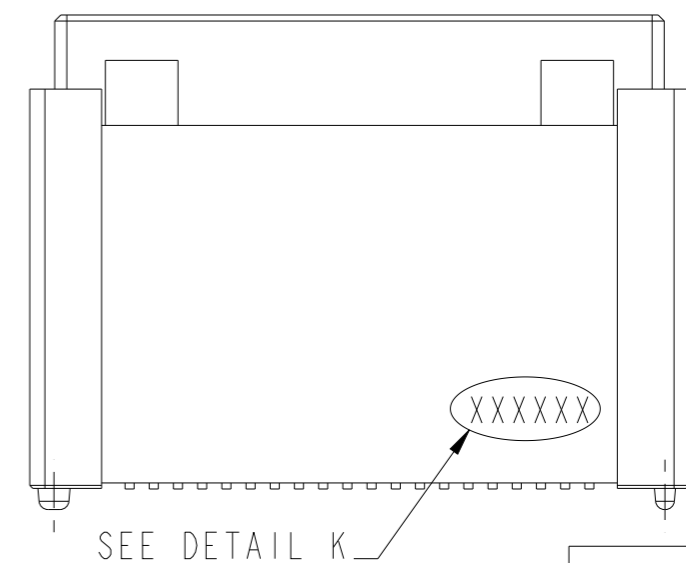
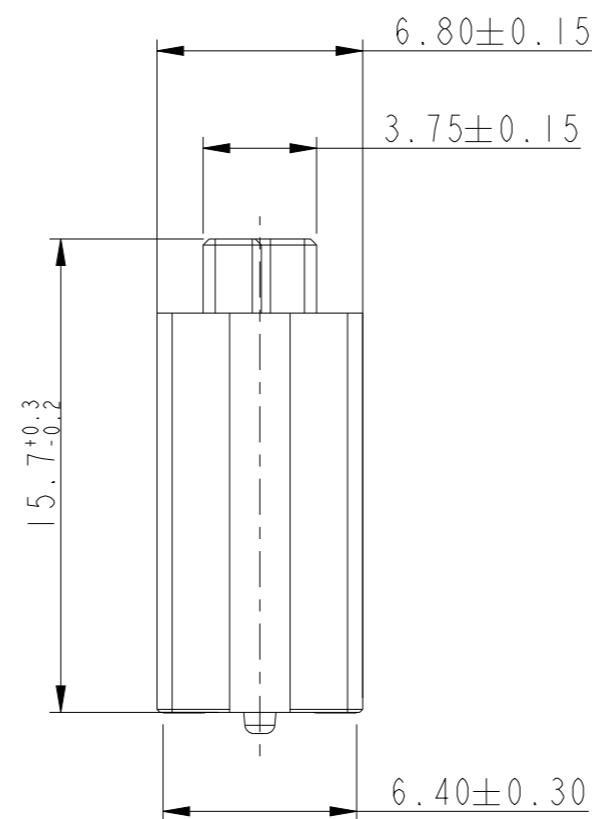
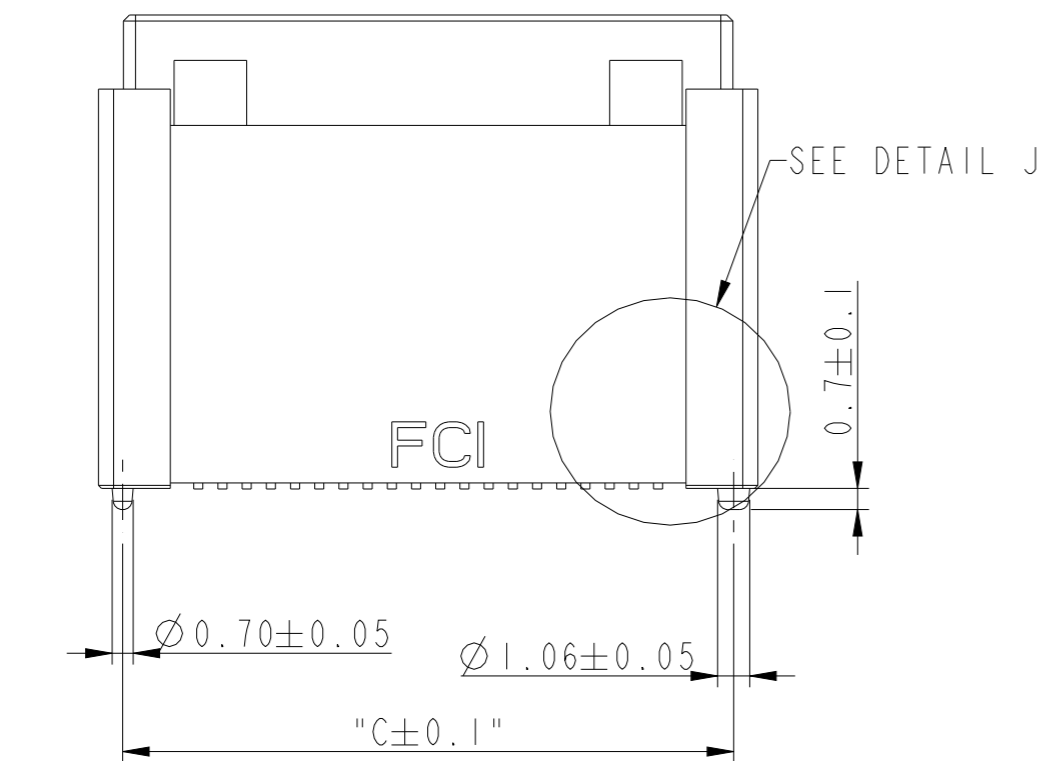
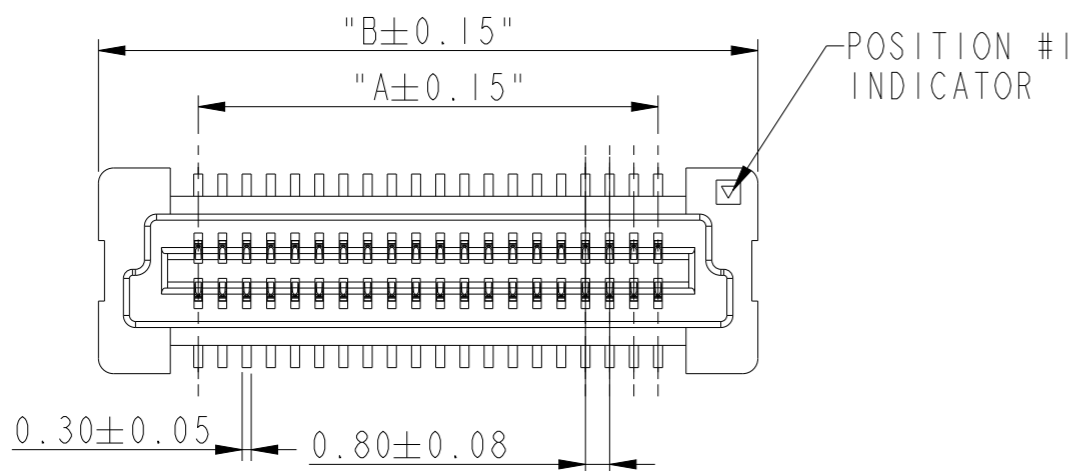
D

A

B

C

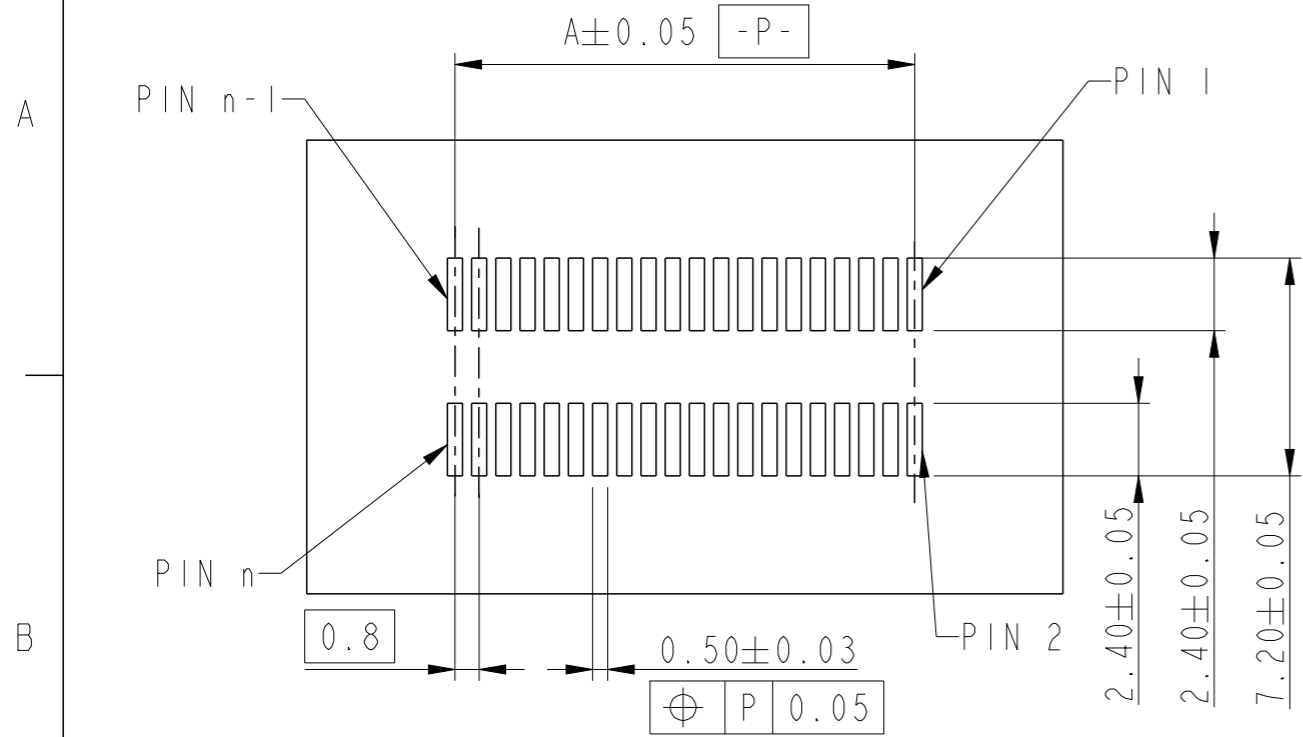
D



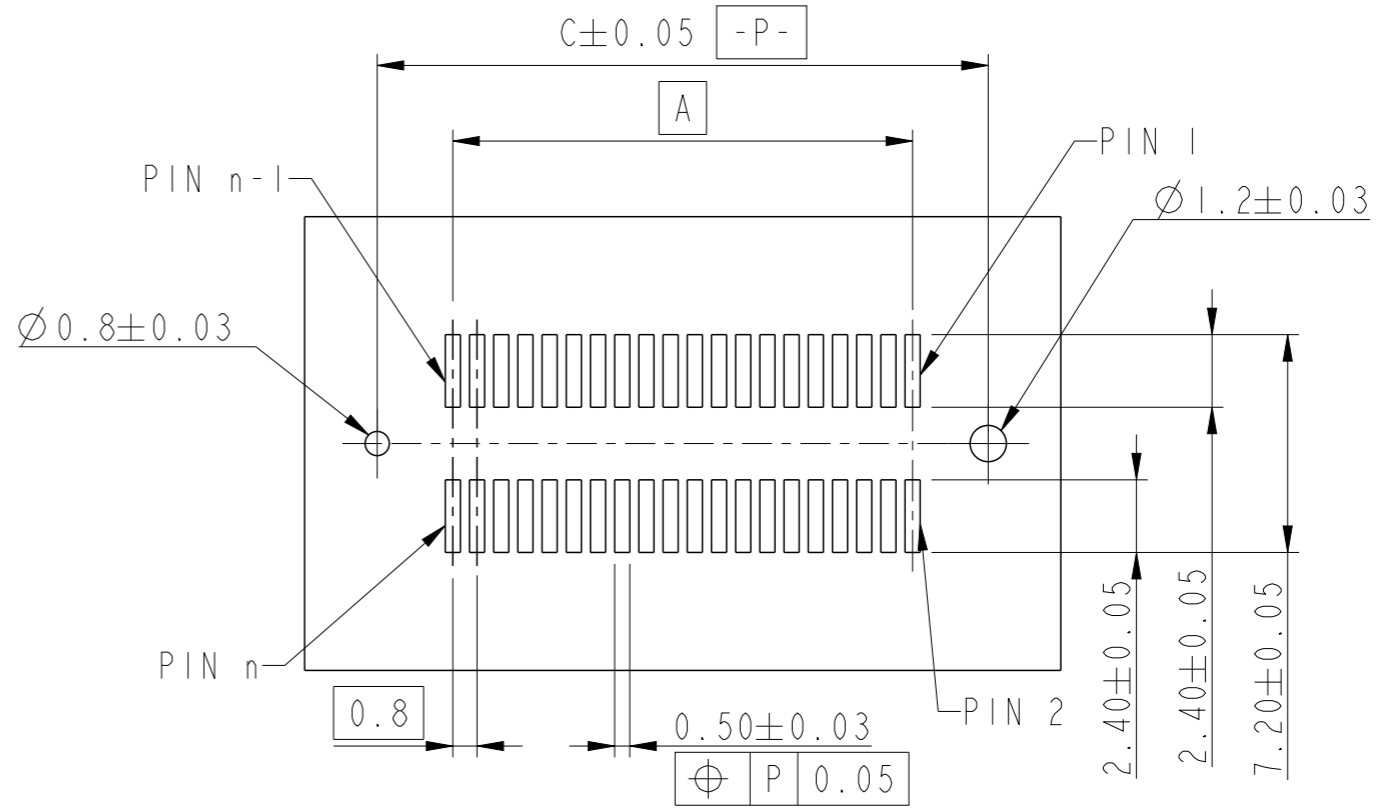
RECEPTACLE 4

dr	Matthew Cheong	2009/06/09	projection	MM	size	A3	scale	3:1	
eng	Jim Meng	2015/03/25			ecn no	ELX-N-20397-1			
chr	-	-			rel level	Released			
appr	Tim Yao	2015/04/02	product family	-	rel level	Released			
		BERGSTAK 0.8MM RECEPTACLE ASS'Y			dwg no	61082		rev	AD
www.fci.com		cat. no.	-		Product - Customer Drw		sheet 6 of 7		

RECEPTACLE 2 & 3 & 4



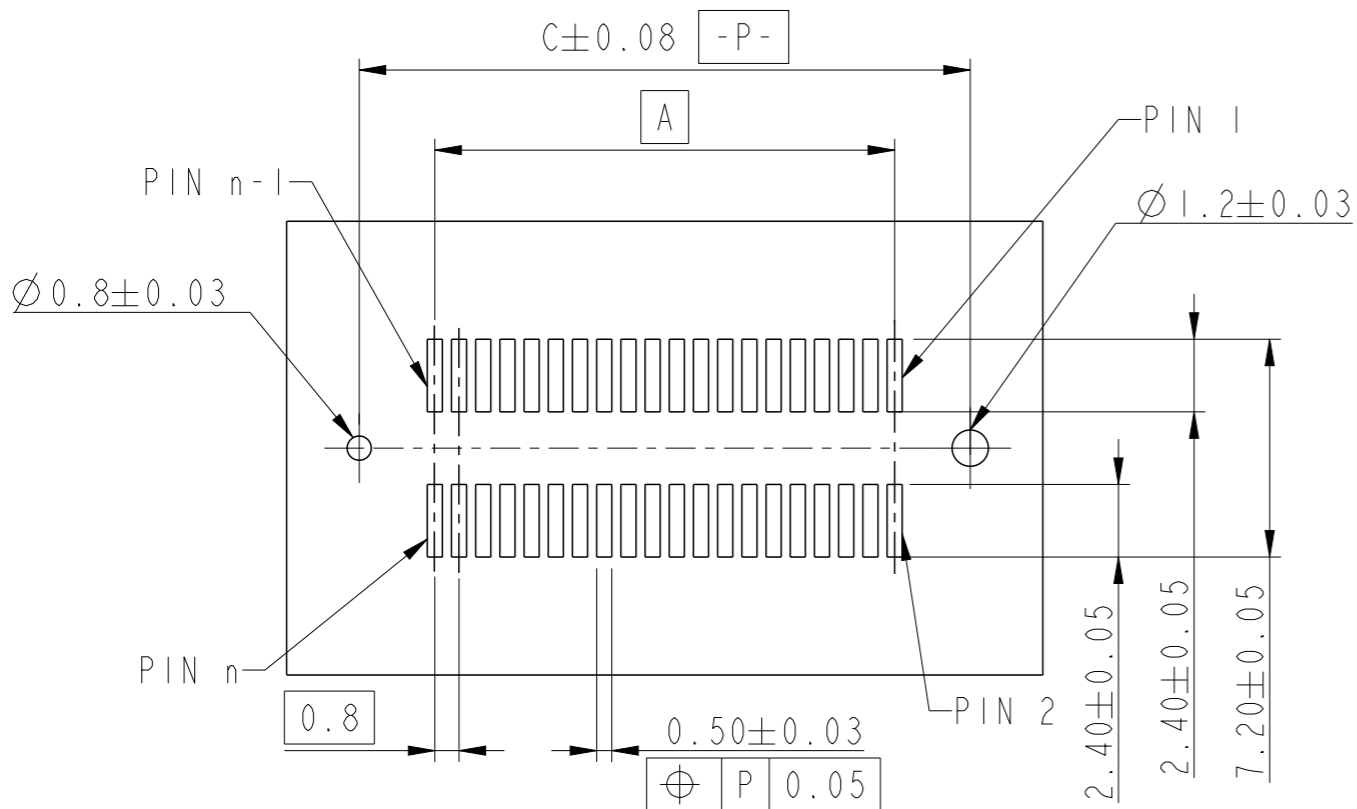
RECOMMENDED PCB LAYOUT WITHOUT PEGS AND HOLDDOWN



RECOMMENDED PCB LAYOUT WITH PEGS
FOR NO. OF POSITION 2X20, 2X30, 2X40, 2X50, 2X60



Copyright FCI.



RECOMMENDED PCB LAYOUT WITH PEGS
FOR NO. OF POSITION 2X70, 2X80, 2X90, 2X100

dr	Matthew Cheong	2009/06/09	projection	MM	size	A3	scale	3:1
eng	Jim Meng	2015/03/25			ecn no	ELX-N-20397-1		
chr	-	-	product family	-	rel level	Released		
appr	Tim Yao	2015/04/02						
www.fci.com		cat. no.	-		Product - Customer Drw	sheet 7 of 7		
		title BERGSTAK 0.8MM RECEPTACLE ASS'Y		dwg no 61082	rev AD			