

5

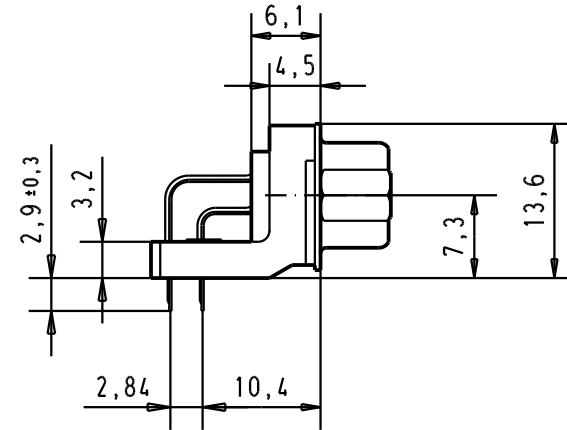
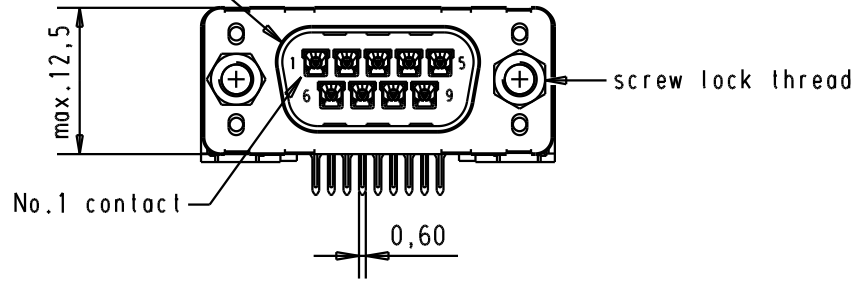
4

3

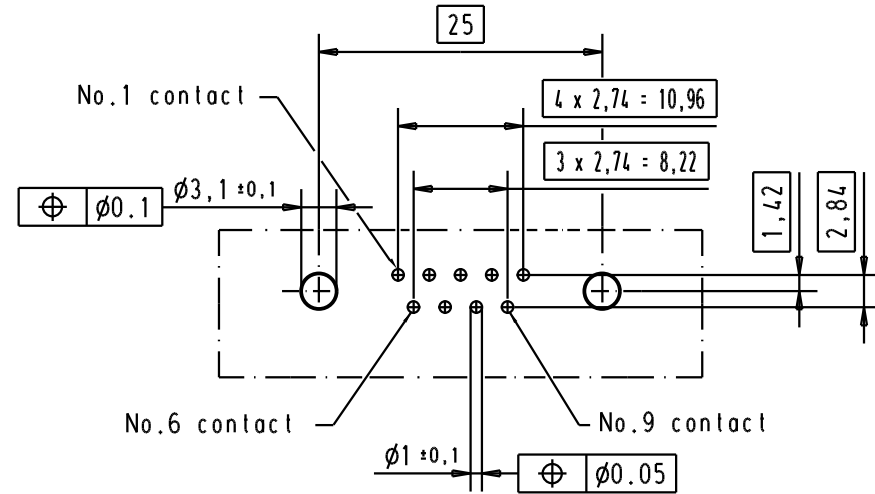
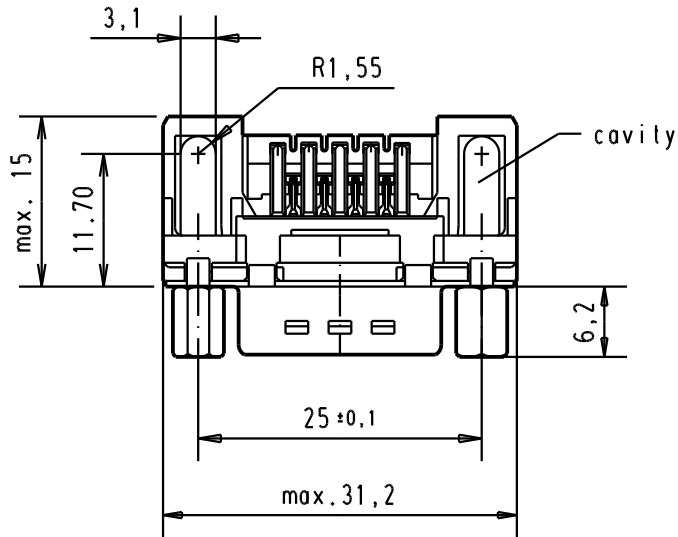
2

1

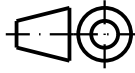

Mating face according to : MIL-C-24308 / DIN 41652 / CECC 75301-802



Printed board layout component side



A

						Dat.	Name	 All Dim. in mm Orig. Size DIN A 4	D-Sub, male, standard angle, 09 poles, with solder pin, screw lock and hole	Maßstab/ Scale  1.5:1
						Detail.	ALSPACE			
						Insp.				
						31892	22/04/04	JH		
09 65 123 3803	4-40 UNC	1	29773	18-APR-02	CV					
09 65 123 6803	4-40 UNC	2	29689	02/07/01	AA					
09 65 123 7803	4-40 UNC	3	27960	13/dec/00	ALSPACE					
Part number	Screw lock thread	Performance level	Mod.	Dat.	Name	HARTING EURL F-95972 Paris				TB 0965123x80x Sub.
Blatt/ Page 3										