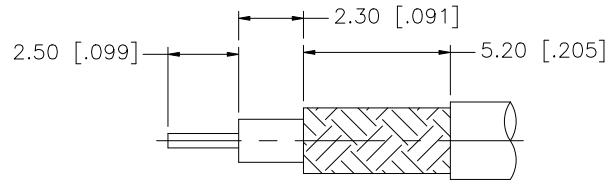
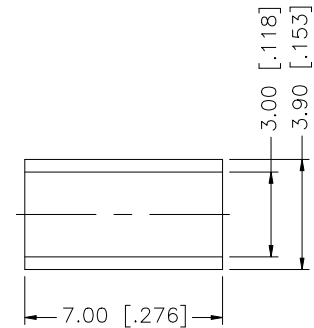
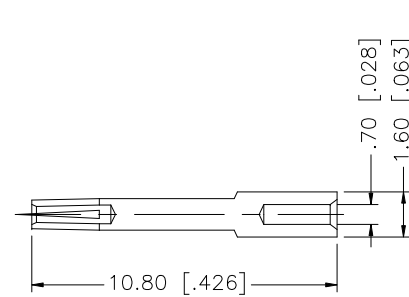
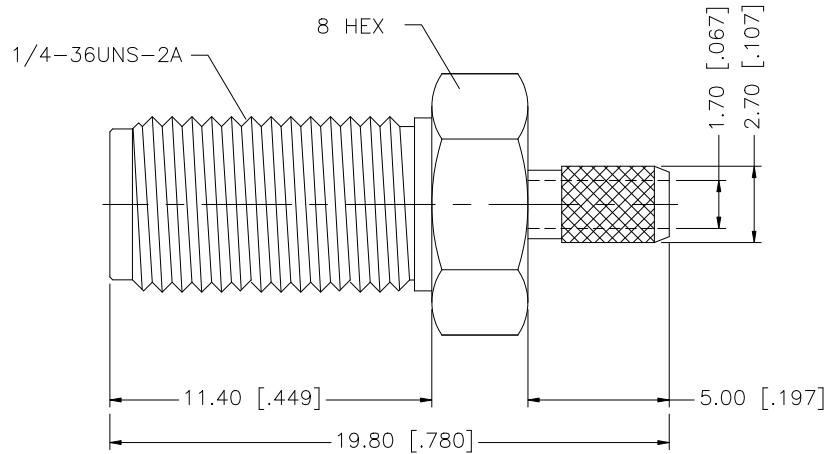


REV.	DATE	DESCRIPTION
A	01/20/04	UPDATE DRAWING FORMAT
B	09/03/07	REVISE BARREL, FERRULE O.D. DIMENSIONS



RECOMMENDED
CABLE STRIPPING DIM'S



NOTE:

1. CRIMPED FERRULE
HEX. CRIMP SIZE .128"
2. CONTACT PIN TO SOLDER.

REV.	DESCRIPTION	MATERIAL	FINISH	QTY	APPROVALS	DATE	Amphenol Connex					
8							SMA CRIMP JACK (FOR RG-174/U, 188A/U, 316/U CABLE)					
7												
6												
5												
4	FERRULE	COPPER	GOLD	1								
3	CONTACT PIN	BER. COPPER	GOLD	1			PART DESCRIPTION					
2	INSULATOR	TEFLON	NATURAL	1			PART NO.					
1	BODY	BRASS	GOLD	1			132117					
UNLESS OTHERWISE SPECIFIED DIMENSIONS ARE IN MILLIMETERS. DIMENSIONS IN [] ARE IN INCHES AND FOR CUSTOMER REFERENCE ONLY. UNLESS OTHERWISE SPECIFIED TOLERANCES FOR MILLIMETERS ARE: 0.5 - 8mm ± 0.20mm 8 - 30mm ± 0.40mm 30 - 120mm ± 0.50mm UNLESS OTHERWISE SPECIFIED TOLERANCES FOR INCHES ARE: .020 - .315 = ± 0.007" .315 - 1.180 = ± 0.015" 1.180 - 4.724 = ± 0.020"					CAD FILE C:/132/132117.DWG		DWG. NO. 132117.DWG		REV. B	SIZE A	SCALE NA	
DO NOT SCALE DRAWING												